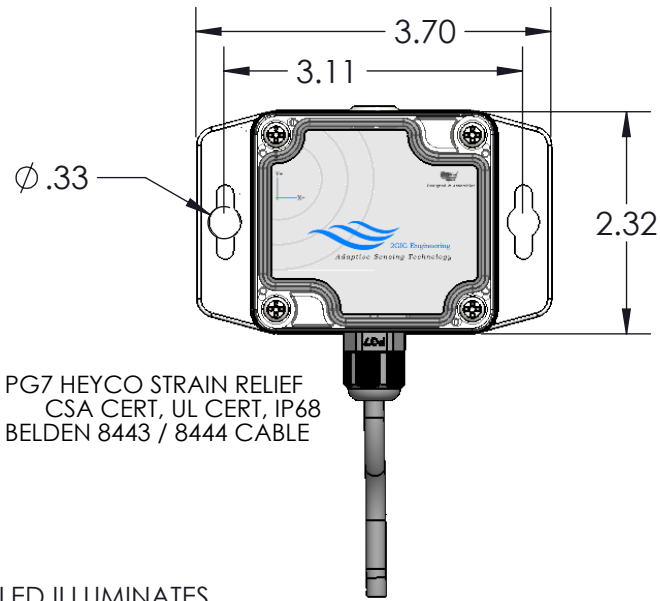
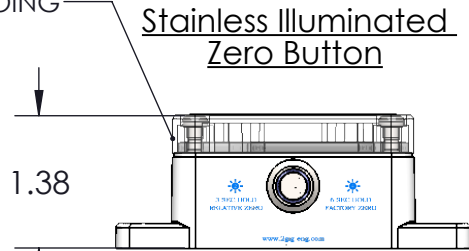


# MOUNTING HOLE LOCATION



PG7 HEYCO STRAIN RELIEF  
CSA CERT, UL CERT, IP68  
BELDEN 8443 / 8444 CABLE

RED LED ILLUMINATES  
AT MAX ANGLE AND  
WHEN ZEROING



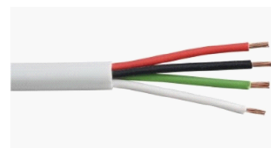
(3) Second Hold For  
RELATIVE ZERO

(6) Second Hold For  
FACTORY ZERO

POLYCARBONATE HOUSING:  
IMPACT RESISTANT, UV STABILIZED  
DESIGNED TO NEMA 1,2,4,4X,12,13  
UL LISTED TO UL508-4X (UL FILE E194432)  
FLAME RATING UL94-HB(UL FILE E41613)

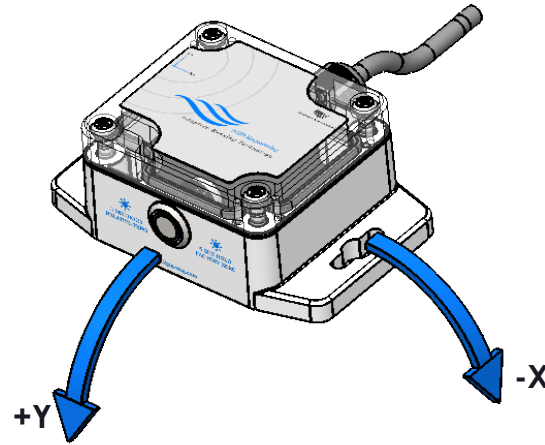
## Wire Callout

| LABEL | COLOR |
|-------|-------|
| VS    | Red   |
| GND   | Black |
| X SIG | Green |
| Y SIG | White |

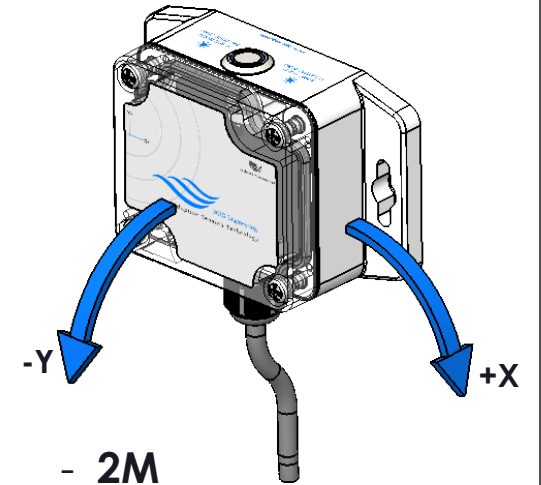


| REVISIONS |                             |     |           |
|-----------|-----------------------------|-----|-----------|
| REV.      | DESCRIPTION                 | BY  | DATE      |
| A         | ADDED VERTICAL MOUNT OPTION | JRK | 4/25/2018 |

## HORIZONTAL MOUNT



## VERTICAL MOUNT



**A** - - - - **2M**

X-AXIS      Y-AXIS

ANALOG SERIES 0-5V  
0.5V(MIN) - 2.5V(0°) - 4.5V (MAX)

HORIZONTAL MOUNT - H  
VERTICAL MOUNT - V

2M DEFAULT CABLE LENGTH  
ADDITIONAL LENGTHS AVAIL - YES

SETTING THE MAX ANGLE RANGE (SYMMETRICAL)  
005 TO 1800 (SINGLE AXIS: +/- 0.5° TO +/- 180°)  
005 TO 900 (DUAL AXIS: +/-0.5° TO +/- 90.0°)  
EXAMPLE: 055=+/-5.5°, 450= +/-45.0°

INPUT SUPPLY: 4-40VDC (BUILT IN BOOST REGULATOR)  
OPERATING TEMP. -40 TO 85°C  
ACCURACY : 0.1°  
RESOLUTION: 0.01° (16BIT)  
TEMPERATURE COMPENSATED  
START-UP TIME - <0.5 SEC  
FREQUENCY: 100HZ (10MSEC)

REVERSE POLARITY PROTECTED  
SHORT CIRCUIT PROTECTED TO GND  
OVER VOLTAGE PROTECTED UP TO 60V  
EPOXY ENCAPSULATED CIRCUIT  
CURRENT DRAW: 11.6MA @12V : 6MA @24V  
WEIGHT: 6.5OZ W/ 2METER 4 WIRE BELDEN CABLE  
CE CERTIFIED / ROHS COMPLIANT

|                                      |                           |  |                 |
|--------------------------------------|---------------------------|--|-----------------|
| MATERIAL                             | DO NOT SCALE DRAWING      | 2GIG ENGINEERING<br>194 MAIN ROAD<br>ABBOT VILLAGE, ME 04406 |                 |
| FINISH                               | SCALE 1:2                 | TITLE<br><b>0-5V ANALOG INCLINOMETER</b>                     |                 |
| TOLERANCE UNLESS OTHERWISE SPECIFIED | DRAWN JRK DATE 11/15/2015 | CODE IDENT   | DRAWING NUMBER  |
| DECIMAL .XX±.02                      | CHECKED JGS               |  | <b>A-27971</b>  |
| DECIMAL .XXX±.005                    | SIZE A                    |  | REV<br><b>A</b> |
| ANGLE ±'                             | SHEET 1 OF 1              |  |                 |