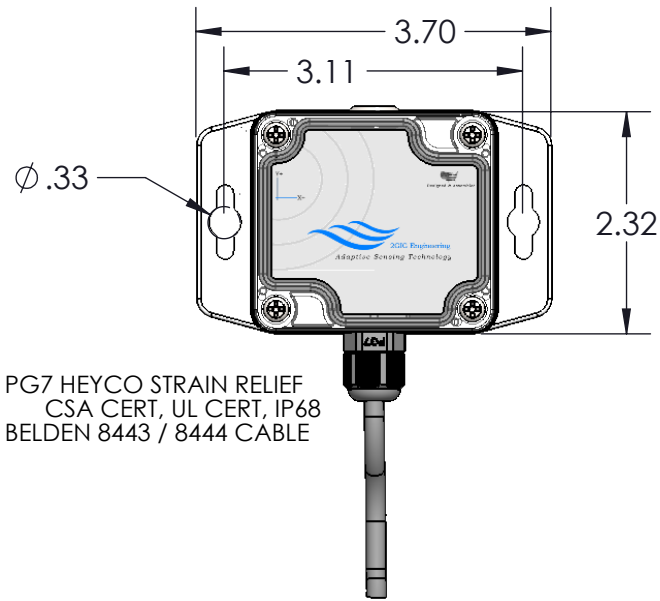
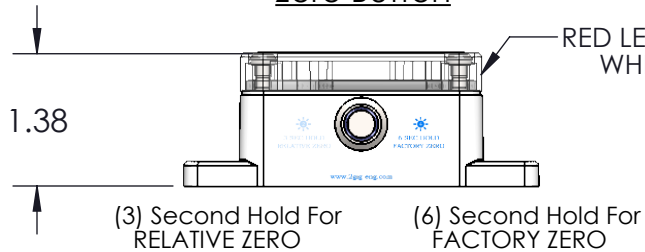


MOUNTING HOLE LOCATION



PG7 HEYCO STRAIN RELIEF
CSA CERT, UL CERT, IP68
BELDEN 8443 / 8444 CABLE

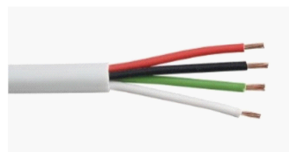
Stainless Illuminated Zero Button



POLYCARBONATE HOUSING:
IMPACT RESISTANT, UV STABILIZED
DESIGNED TO NEMA 1,2,4,4X,12,13
UL LISTED TO UL508-4X (UL FILE E194432)
FLAME RATING UL94-HB(UL FILE E41613)

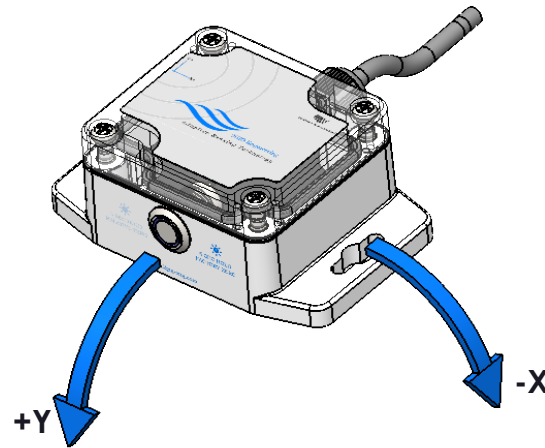
Wire Callout

LABEL	COLOR
VS	Red
GND	Black
RX-I	Green
TX-O	White

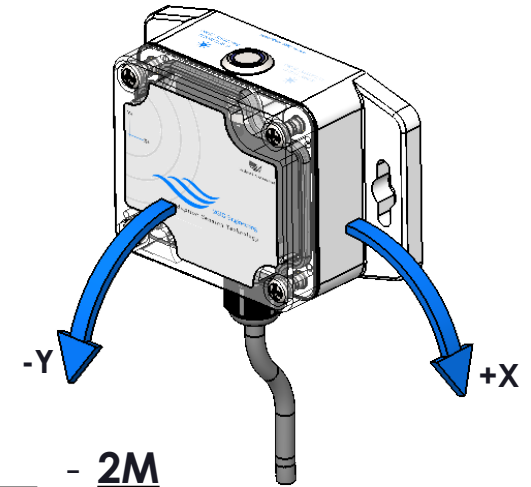


REVISIONS			
REV.	DESCRIPTION	BY	DATE
A	ADDED VERTICAL MOUNT OPTION	JRK	5/17/2018

HORIZONTAL MOUNT



VERTICAL MOUNT



TTL (UART)	AXIS TYPE	BAUD RATE (BPS) DEFAULT:19200	LOGIC LEVEL	2M
HORIZONTAL MOUNT - H VERTICAL MOUNT - V	SINGLE X - 1 SINGLE Y - 2 DUAL - 3	2400 9600 19200 57600 115200	33=3.3V 50=5.0V	(*)M = SPECIFY LENGTH IN METERS DEFAULT IS 2M BELDEN 8444

ADJUSTABLE BAUD RATE
ADJUSTABLE OUTPUT RATE (1-100 HZ)
BY UART COMMAND

INPUT SUPPLY: 4-40VDC (BUILT IN BOOST REGULATOR)
OPERATING TEMP. -40 TO 85°C
ACCURACY : 0.1°
RESOLUTION: 0.01°
TEMPERATURE COMPENSATED
START-UP TIME - <0.5 SEC
FREQUENCY: 100HZ (10MSEC)

REVERSE POLARITY PROTECTED
SHORT CIRCUIT PROTECTED TO GND
OVER VOLTAGE PROTECTED UP TO 60V
EPOXY ENCAPSULATED CIRCUIT
CURRENT DRAW: 11.6MA @12V : 6MA @24V
WEIGHT: 6.5OZ W/ 2METER 4 WIRE BELDEN CABLE
CE CERTIFIED / ROHS COMPLIANT

MATERIAL	DO NOT SCALE DRAWING	2GIG ENGINEERING 194 MAIN ROAD ABBOT VILLAGE, ME 04406	
UNITS	SCALE	TITLE	
INCH	1:2	TTL (UART) INCLINOMETER	
TOLERANCE UNLESS OTHERWISE SPECIFIED	DRAWN	DATE	CODE IDENT
DECIMAL .XX±.02	JRK	05/17/2018	
DECIMAL .XXX±.005	CHECKED		DRAWING NUMBER
ANGLE ±'	JGS		T-27971
	SIZE		REV
	A		A
	SHEET 1 OF 1		