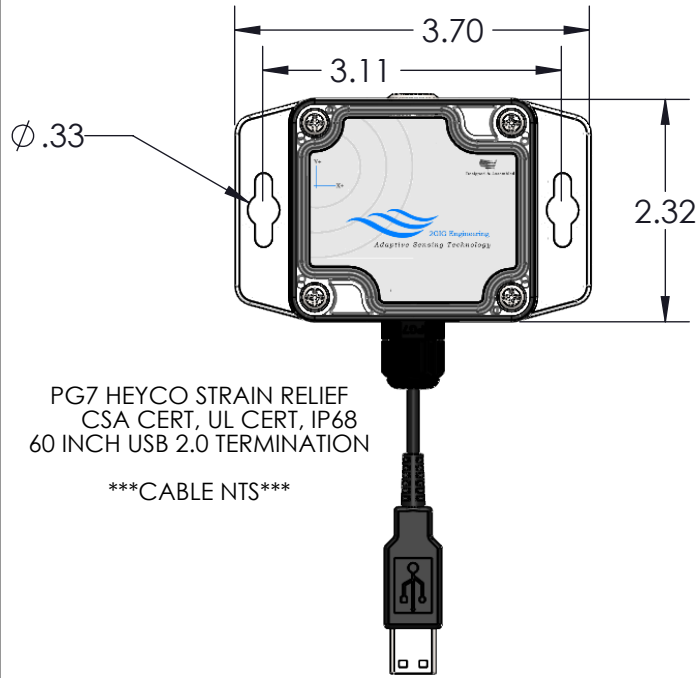


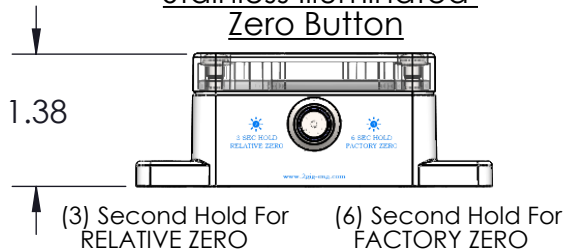
MOUNTING HOLE LOCATION



PG7 HEYCO STRAIN RELIEF
CSA CERT, UL CERT, IP68
60 INCH USB 2.0 TERMINATION

CABLE NTS

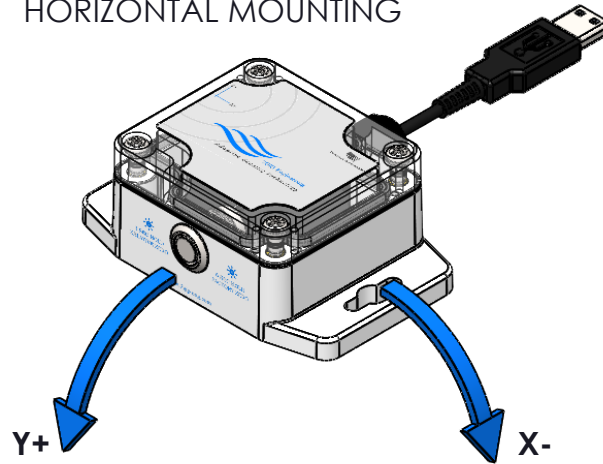
Stainless Illuminated Zero Button



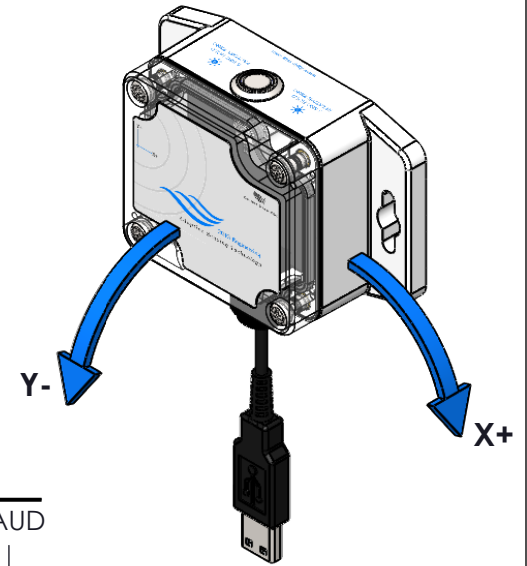
POLYCARBONATE HOUSING:
IMPACT RESISTANT, UV STABILIZED
DESIGNED TO NEMA 1,2,4,4X,12,13
UL LISTED TO UL508-4X (UL FILE E194432)
FLAME RATING UL94-HB(UL FILE E41613)

REVISIONS			
REV.	DESCRIPTION	BY	DATE
A	ADDED VERTICAL MOUNT OPTION	JRK	4/25/2018

HORIZONTAL MOUNTING




VERTICAL MOUNTING



U	AXIS	BAUD
USB - SERIAL COM PORT SERIES		
HORIZONTAL MOUNT - H	1- SINGLE X (+/-180°)	2400 = 2400BPS
VERTICAL MOUNT - V	2- SINGLE Y (+/-180°)	9600 = 9600BPS
	3- DUAL AXIS (+/-90°)	19200 = 19.2KBPS (DEFAULT)
		57600 = 57.6K BPS
		115200 = 115.2K BPS

INPUT SUPPLY: 5VDC TYPICAL (4 - 40VDC)
BUILT IN BOOST REGULATOR FOR <5VDC
OPERATING TEMP. -40 TO 85°C
TEMPERATURE COMPENSATED
ACCURACY : 0.1° RESOLUTION: 0.01°
START-UP TIME - <0.5 SEC

REVERSE POLARITY PROTECTED
SHORT CIRCUIT PROTECTED TO GND
EPOXY ENCAPSULATED CIRCUIT
CURRENT DRAW: 60MA@5V
WEIGHT: 5.5OZ
CE CERTIFIED / ROHS COMPLIANT

MATERIAL	DO NOT SCALE DRAWING	 2GIG ENGINEERING 194 MAIN ROAD ABBOT VILLAGE, ME 04406	
UNITS	SCALE 1:2	TITLE USB INCLINOMETER	
TOLERANCE UNLESS OTHERWISE SPECIFIED	DRAWN JRK	DATE 11/15/2015	
DECIMAL .XX±.02	CHECKED JGS		
DECIMAL .XXX±.005	SIZE A		
ANGLE ±'	SHEET 1 OF 1	CODE IDENT	DRAWING NUMBER U-27971
			REV A