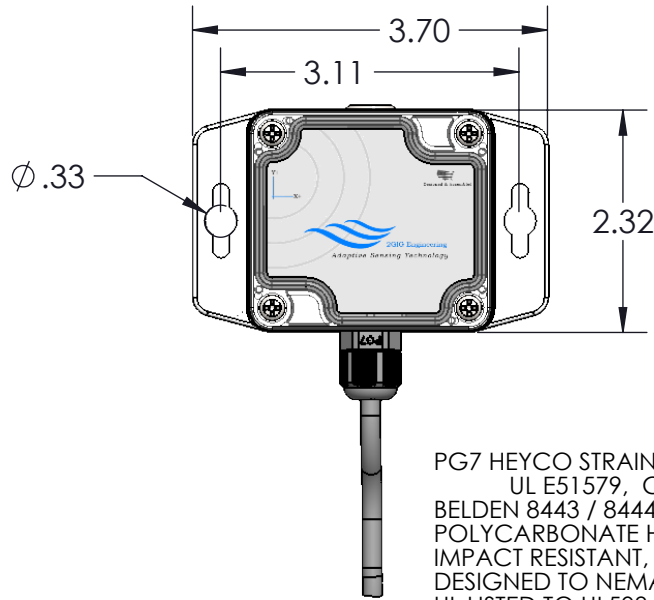
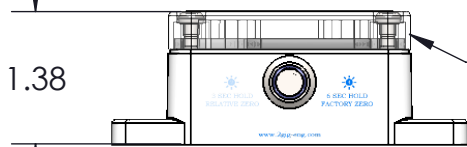


MOUNTING HOLE LOCATION



PG7 HEYCO STRAIN RELIEF -
 UL E51579, CSA CERT 93876C
 BELDEN 8443 / 8444 CABLE
 POLYCARBONATE HOUSING:
 IMPACT RESISTANT, UV STABILIZED
 DESIGNED TO NEMA 1,2,4,4X,12,13
 UL LISTED TO UL508-4X (UL FILE E194432)
 FLAME RATING UL94-HB(UL FILE E41613)

Stainless Illuminated Zero Button



4 -20 MILLI-AMP SERIES
 4 MA(MIN) - 12 MA(0°) - 20 MA (MAX)

HORIZONTAL MOUNT - **H**
 VERTICAL MOUNT - **V**

(3) Second Hold For
 RELATIVE ZERO

(6) Second Hold For
 FACTORY ZERO

RED LED ILLUMINATES
 AT MAX ANGLE AND
 WHEN ZEROING

INPUT SUPPLY: 8 - 40VDC
 OPERATING TEMP. -40 TO 85°C
 ACCURACY : 0.1°
 RESOLUTION: 0.01° (16BIT)
 TEMPERATURE COMPENSATED
 START-UP TIME - <0.5 SEC
 FREQUENCY: 100HZ (10MSEC)

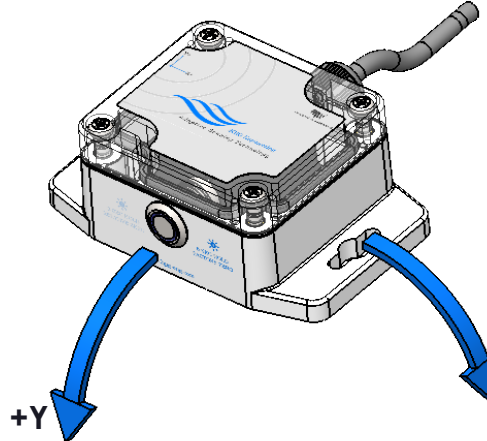
REVERSE POLARITY PROTECTED
 SHORT CIRCUIT PROTECTED TO GND
 OVER VOLTAGE PROTECTED UP TO 60V
 EPOXY ENCAPSULATED CIRCUIT
 CURRENT DRAW: 15.0MA@12V : 9.5MA@24V (+ OUTPUT)
 WEIGHT: 6.5OZ W/ 2METER 4 WIRE BELDEN CABLE
 CE CERTIFIED / ROHS COMPLIANT

Wire Callout

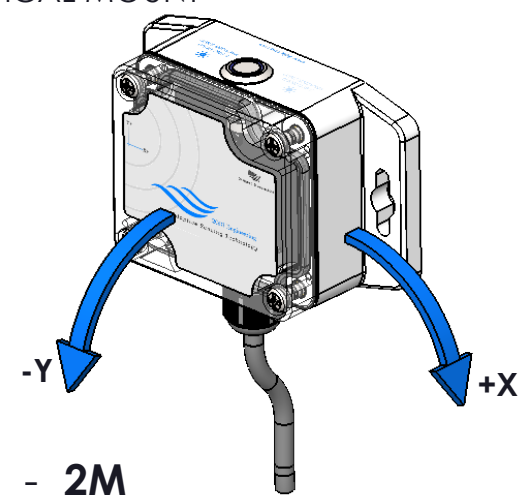
| LABEL | COLOR |
|-------|-------|
| VS | Red |
| GND | Black |
| X SIG | Green |
| Y SIG | White |



HORIZONTAL MOUNT



VERTICAL MOUNT



B
 MODEL

X-Axis

Y-Axis

2M
 Cable

Default:
 2M Belden Cable

(*) M = Belden Cable
 *Specify length in meters

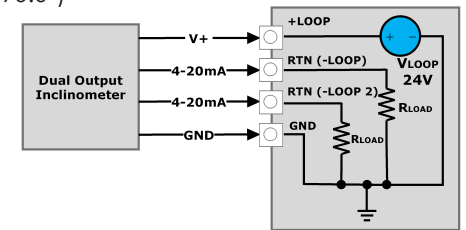
SETTING THE MAX ANGLE RANGE (SYMMETRICAL)

005 TO 1800 (SINGLE AXIS: +/- 0.5° TO +/- 180°)

005 TO 900 (DUAL AXIS: +/-0.5° TO +/- 90.0°)

EXAMPLE: 055 = +/-5.5°; 450 = +/-45.0°

Typical PLC



| | | | |
|--------------------------------------|----------------------|--|----------------|
| MATERIAL | DO NOT SCALE DRAWING | 2GIG ENGINEERING 194 MAIN ROAD ABBOT VILLAGE, ME 04406 | |
| FINISH | SCALE | TITLE | |
| NONE | 1:2 | 4-20 MILLI-AMP SERIES INCLINOMETER | |
| TOLERANCE UNLESS OTHERWISE SPECIFIED | DRAWN | DATE | CODE IDENT |
| DECIMAL .XX±.02 (inches) | JRK | 11/15/2015 | DRAWING NUMBER |
| DECIMAL .XXX±.005 (inches) | CHECKED | | REV |
| ANGLE ±' | JGS | | B-27971 |
| | SIZE | | A |
| | A | | |
| | SHEET | 1 OF 1 | |